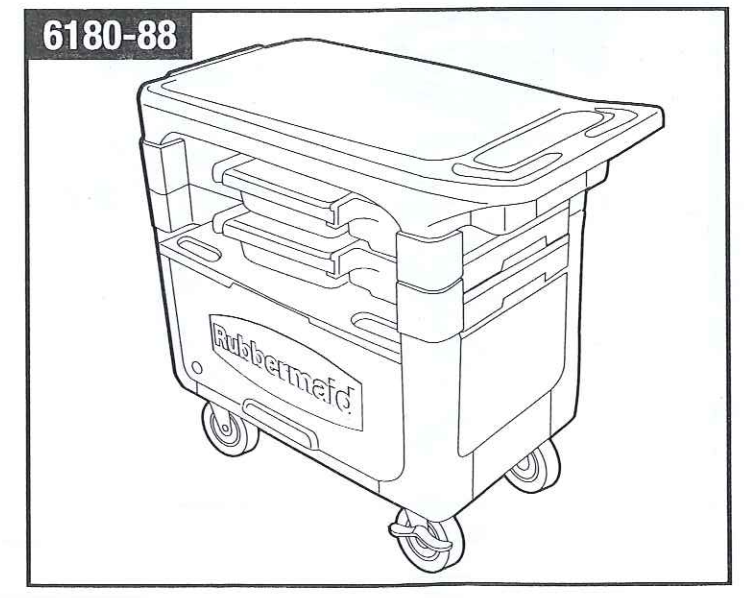
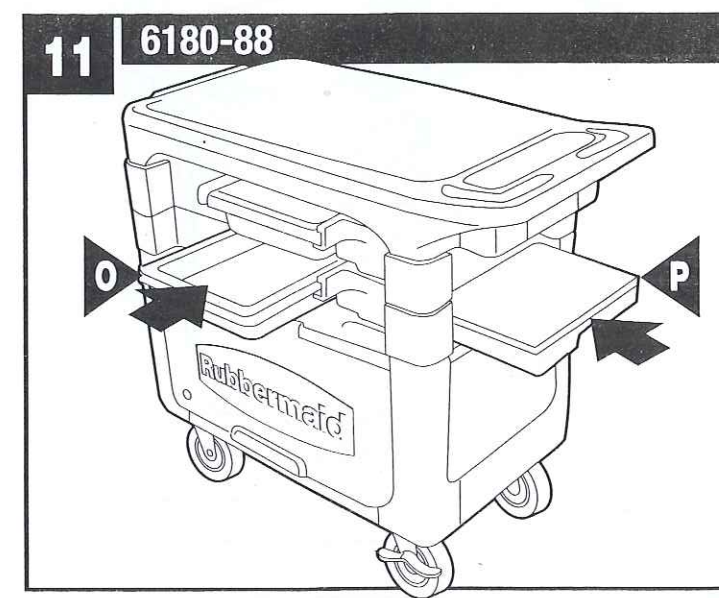
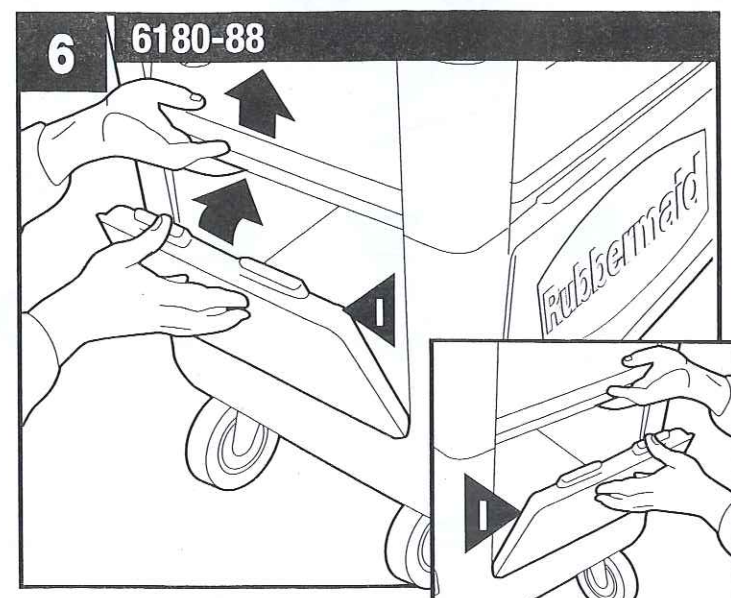
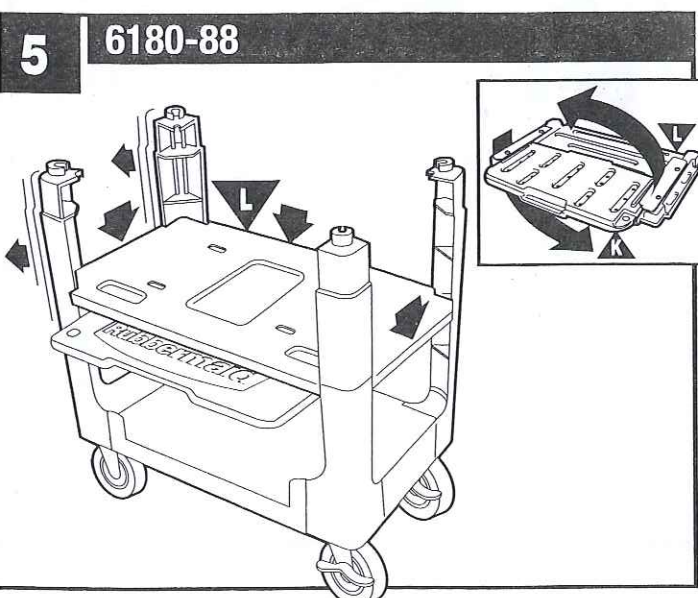
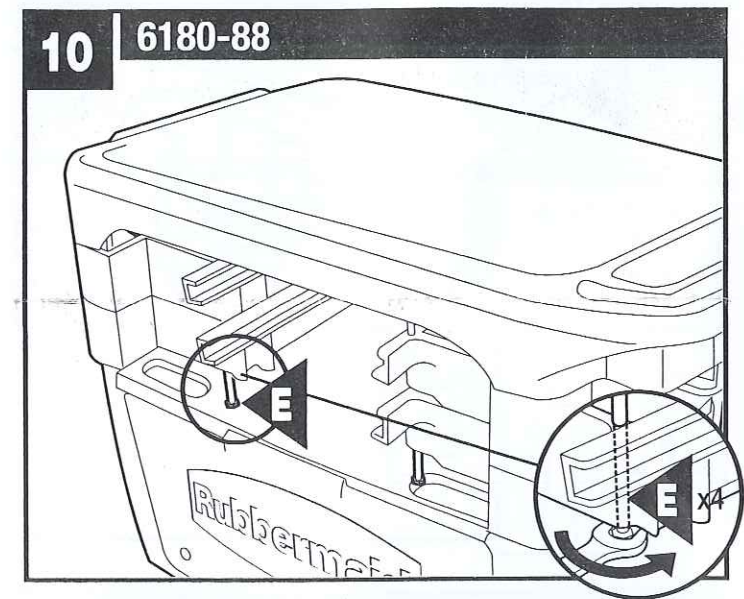
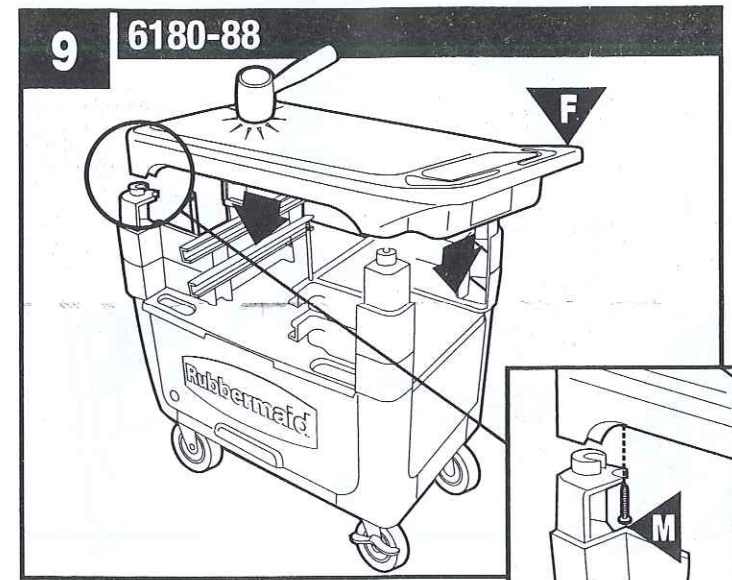
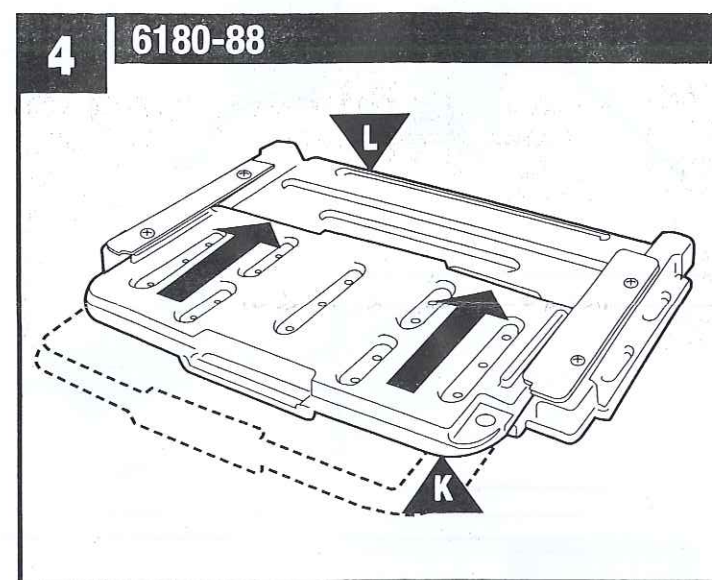
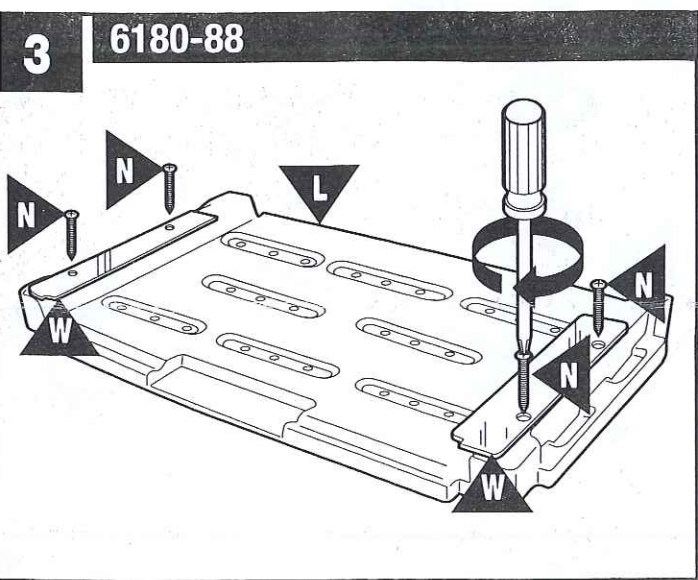
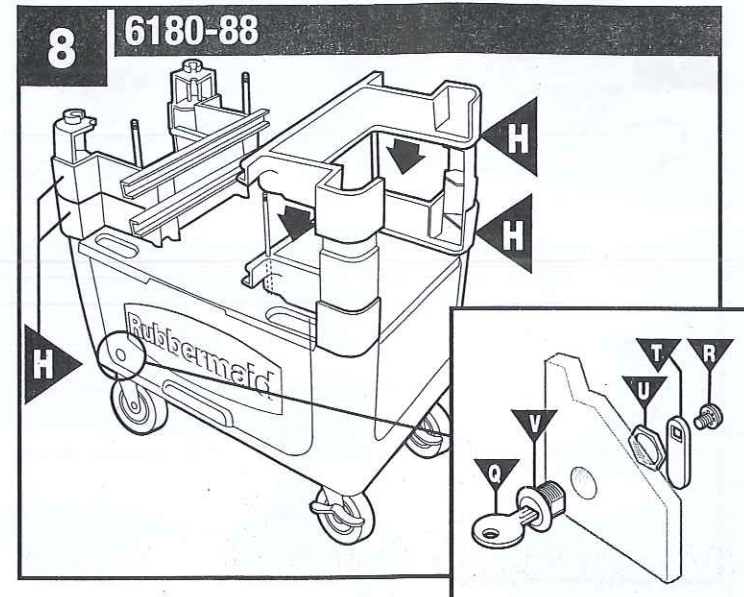
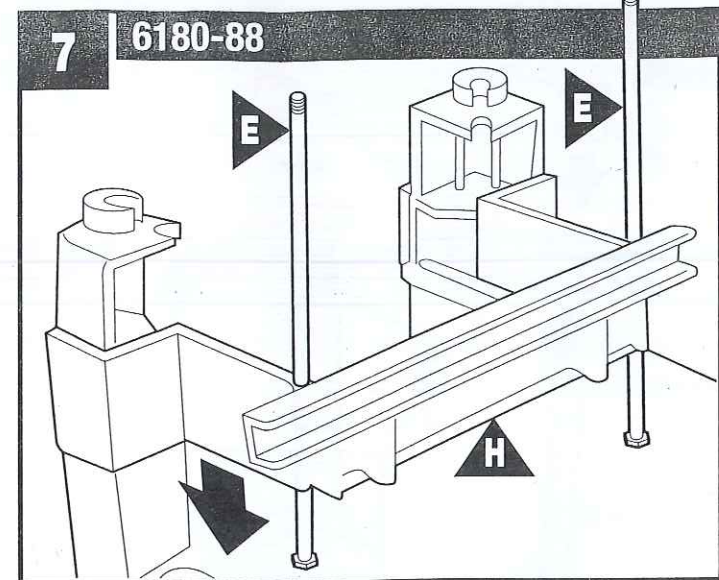
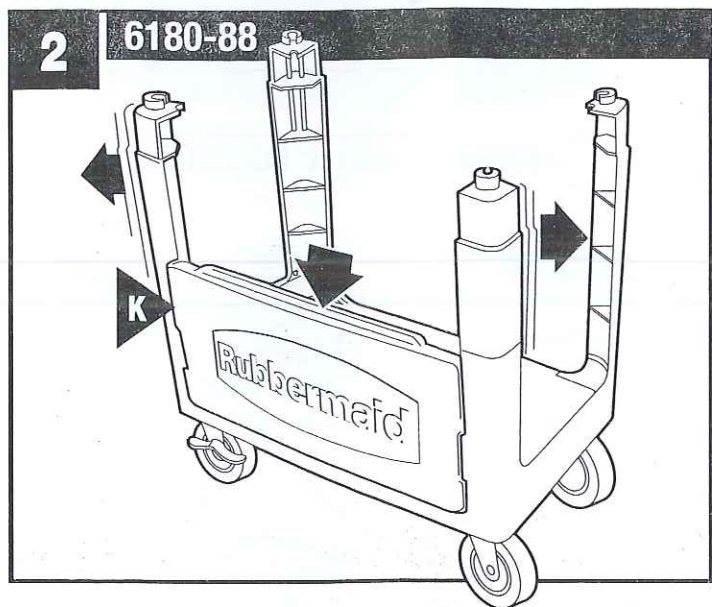
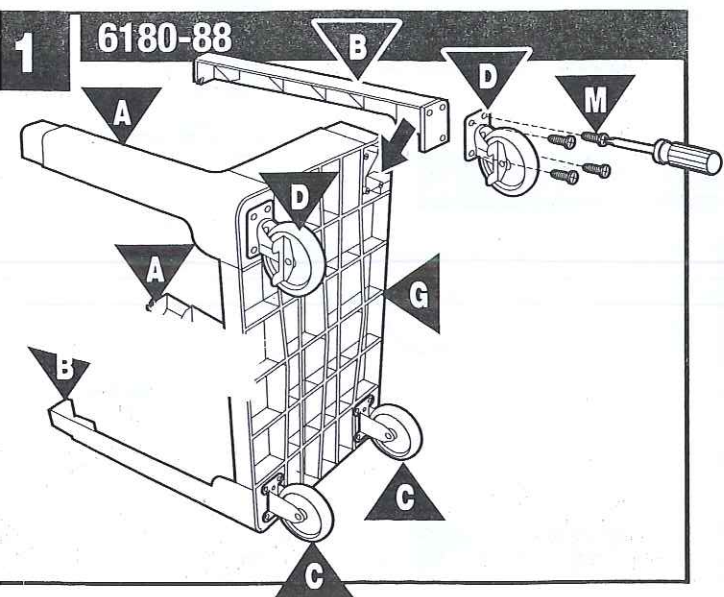
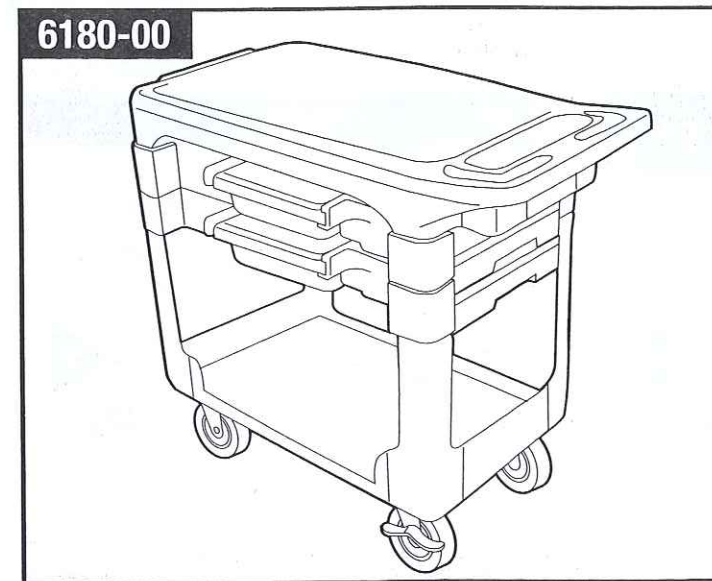
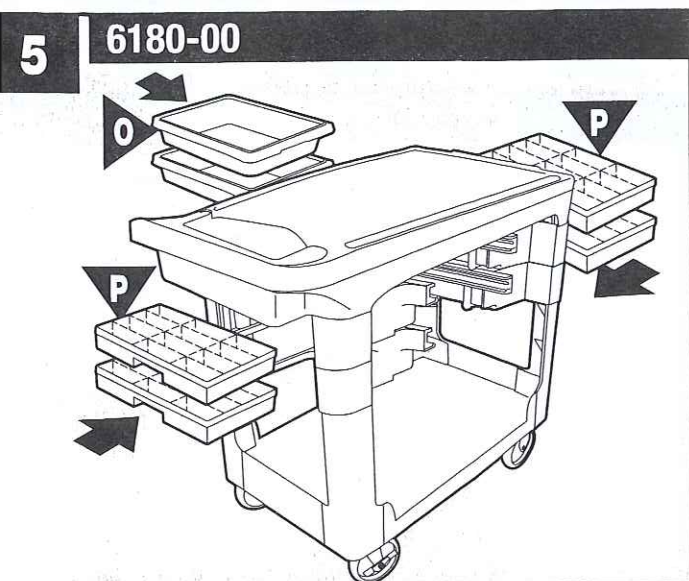
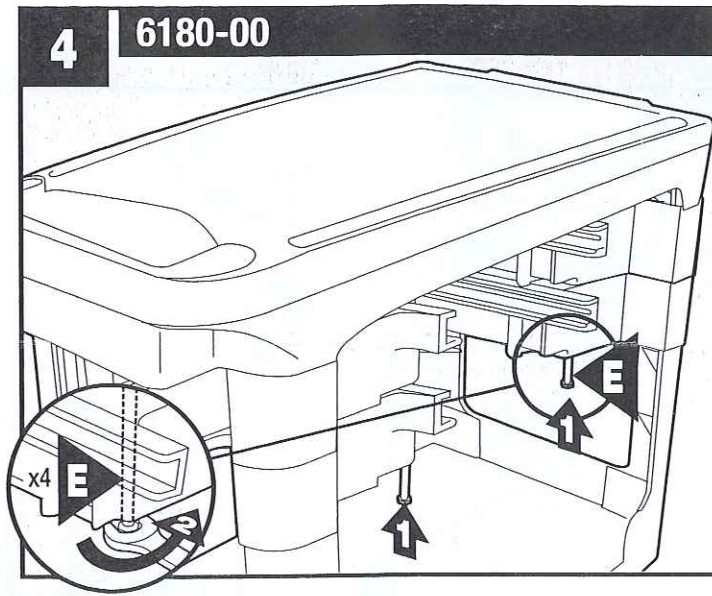
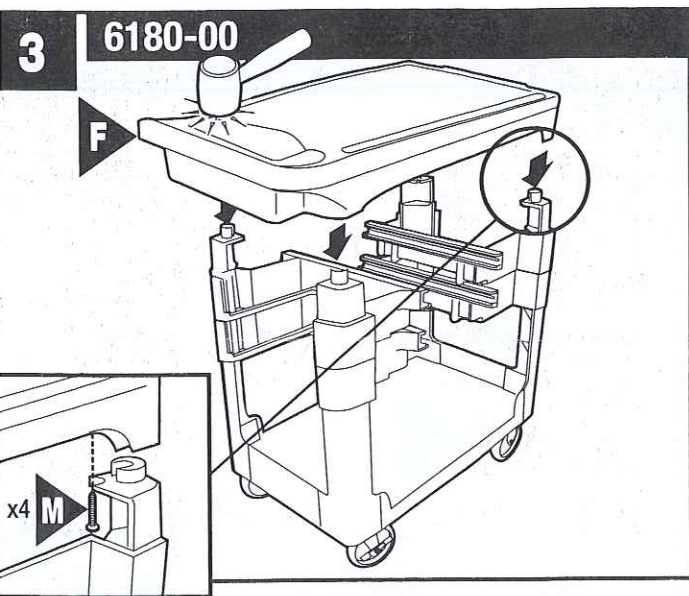
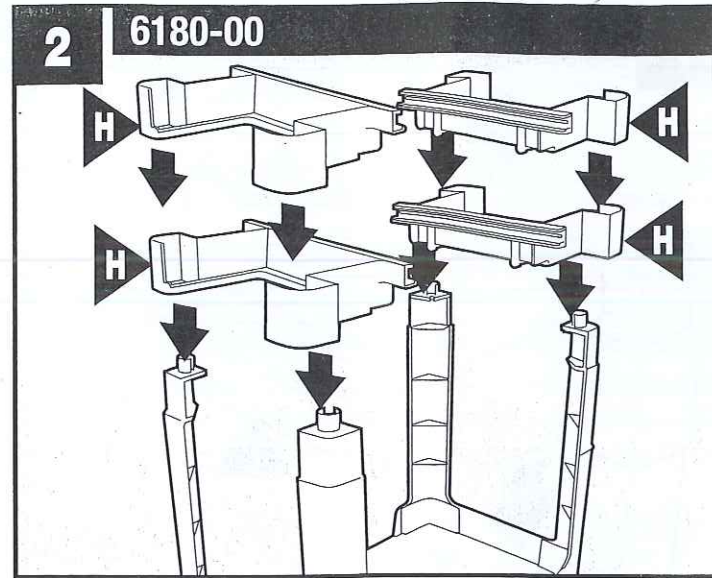
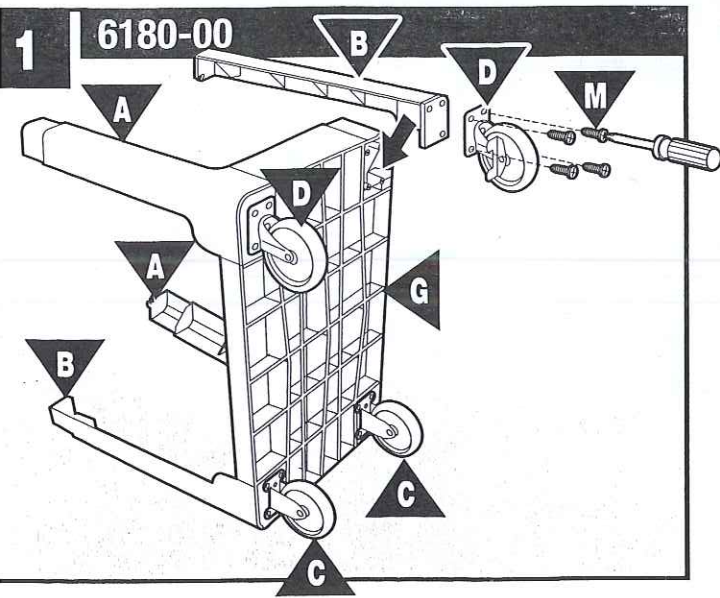


6180-88



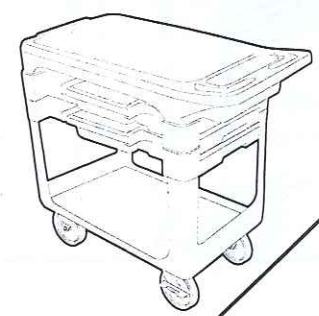


# 6180-00

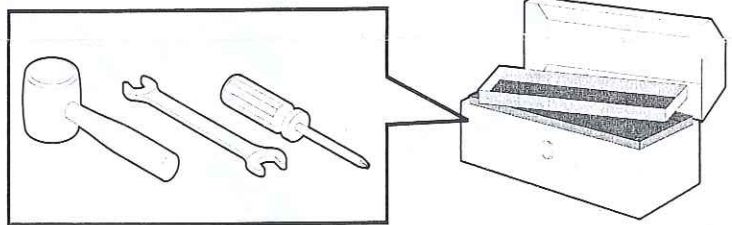
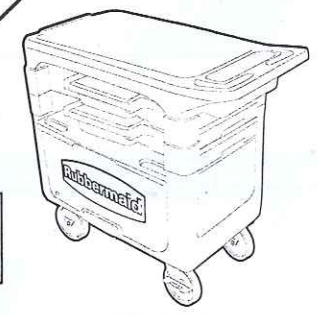


# Rubbermaid® Commercial Products

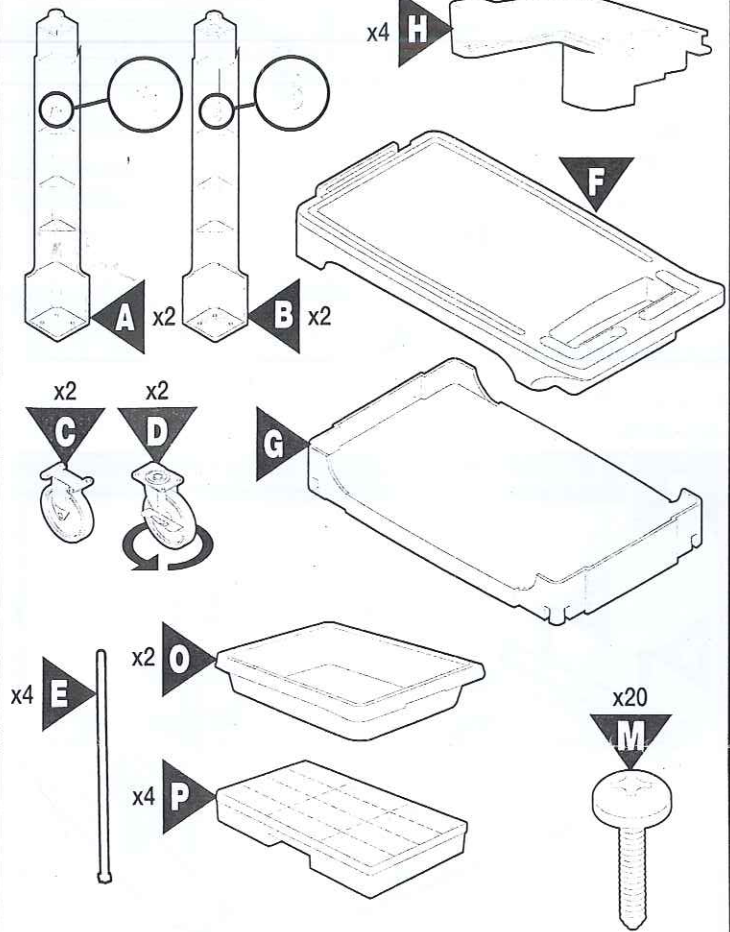
6180-00



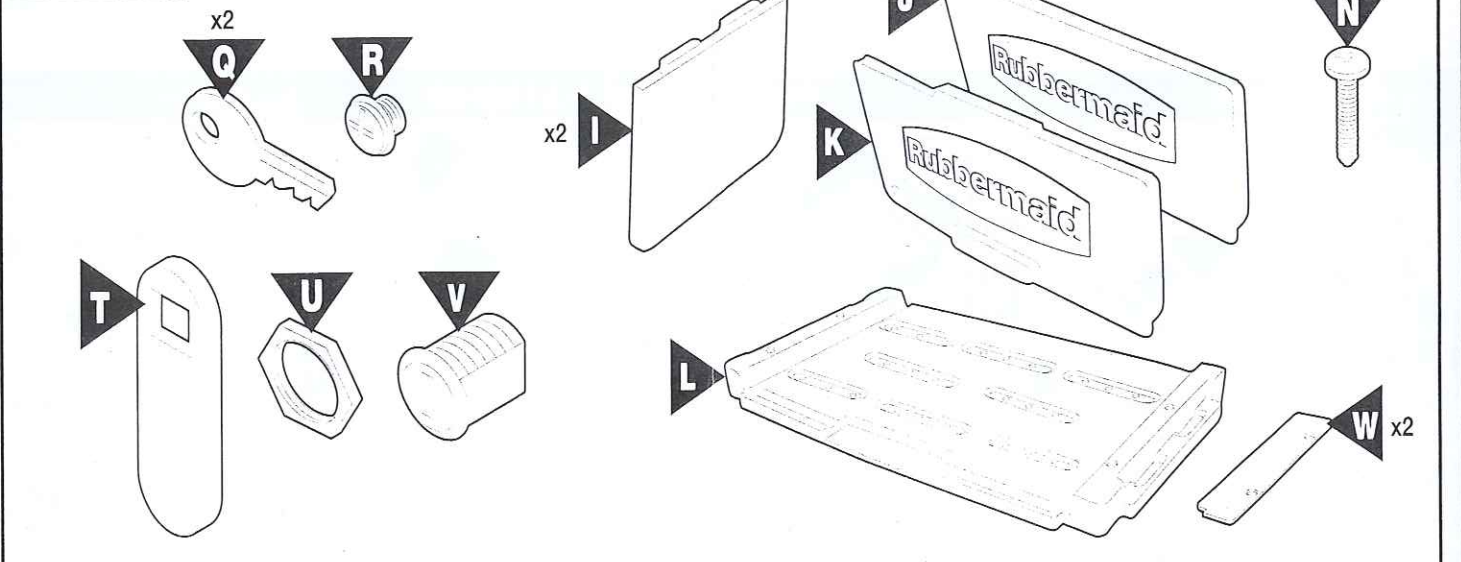
6180-88



6180-00/6180-88



6180-88



Products manufactured under quality management system registered to ISO 9001:2000  
©2005 Rubbermaid Commercial Products LLC  
Printed in U.S.A.  
Product #6180-00/6180-88  
Instructions #72-6180-88



Rubbermaid Commercial Products LLC  
3124 Valley Avenue  
Winchester, VA 22601 U.S.A.  
Phone: 540-667-8700  
Fax: 540-542-8770  
www.rubbermaidcommercial.com